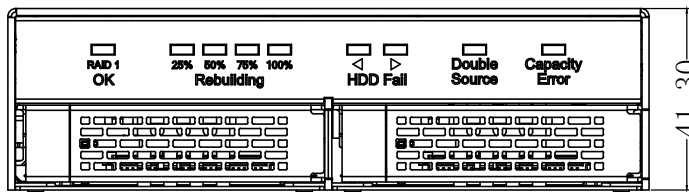
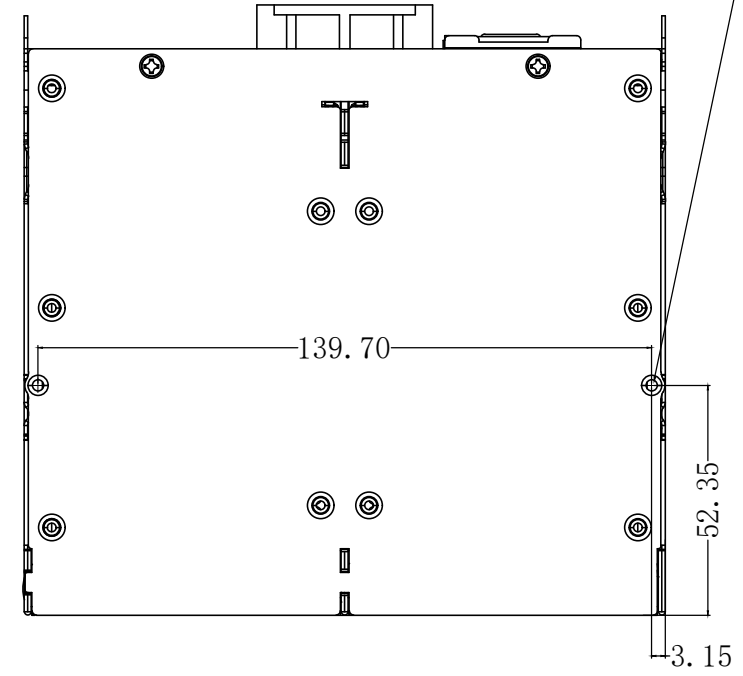
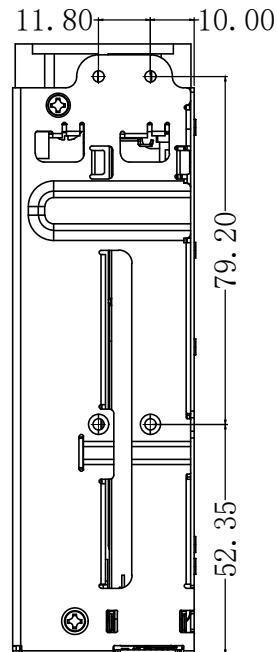
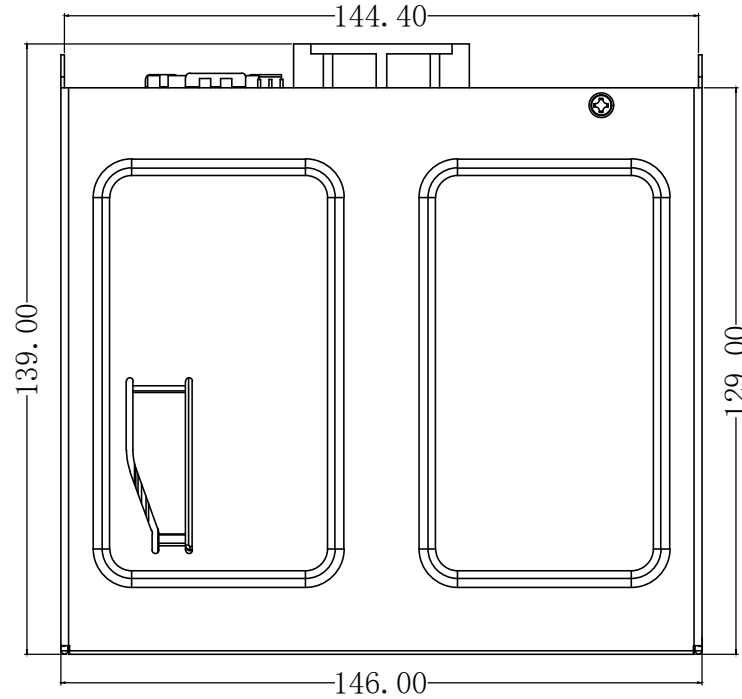
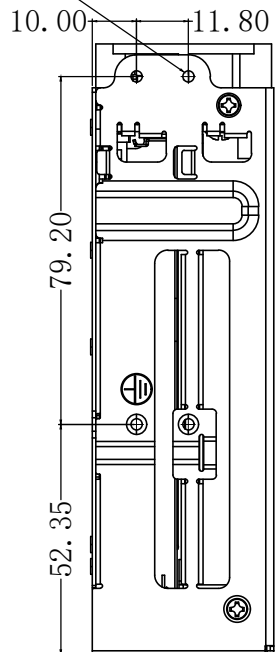


8-M3*2.5 (Suggest screw size)

2-M3*2.5 (Suggest screw size)



APPLIED MODEL

CREMAX TECH CO., LTD.			
TITLE MB902SPR-B R1 全组立图		TOLERANCE 10mm以上 ±0.1 10-50mm ±0.15 50mm以下 ±0.2 X° ±0.5°	
DRAWN	DATE 2023/6/7	FINISHED	SCALE
CHECKED	DATE	PART NO.	UNIT REV.
APPROVED	DATE	FIG. NO.	SHEET OF