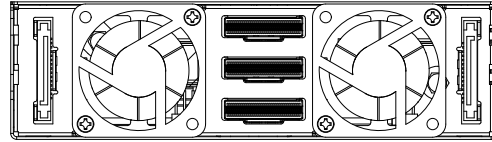
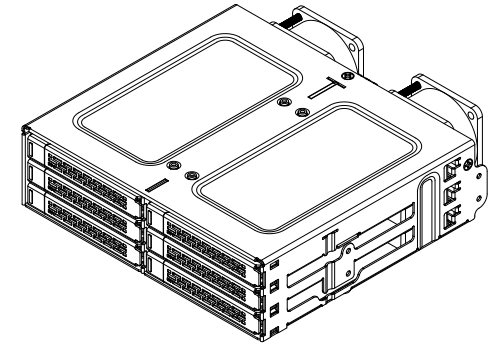
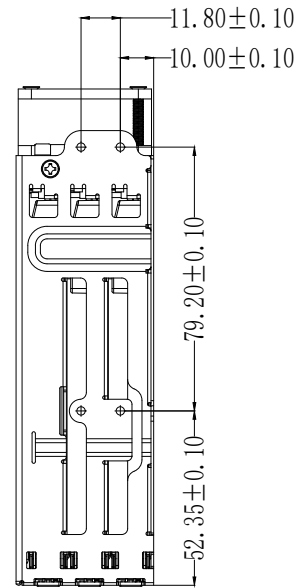
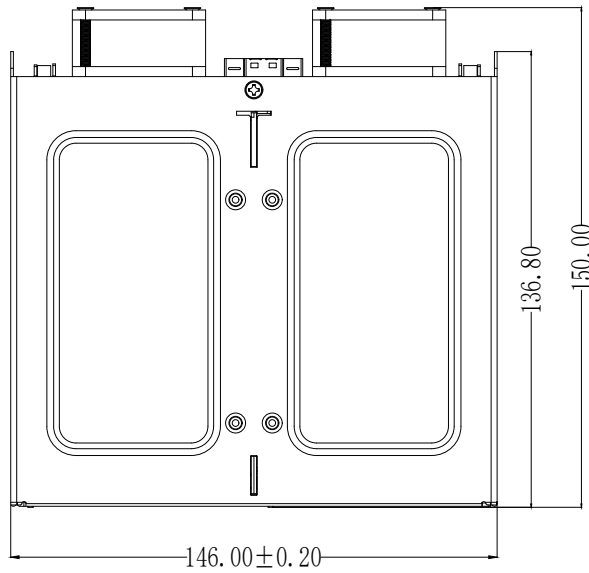
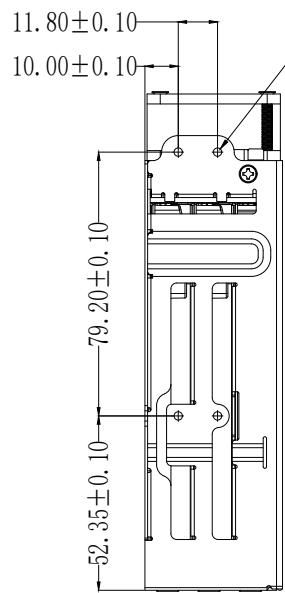


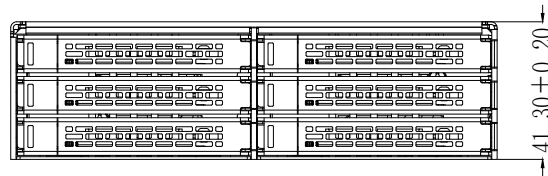
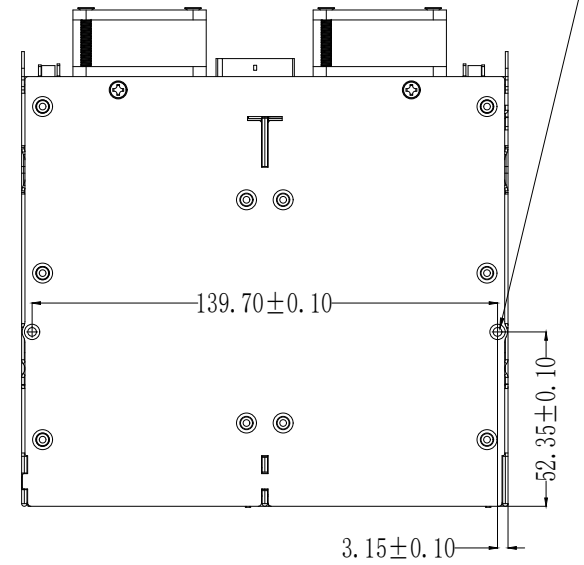
MARK	REVISED CONTENT	DATE	MODIFIED BY
------	-----------------	------	-------------



8-M3\*2.5(Suggest screw size)



2-M3\*2.5(Suggest screw size)



CREMAX TECH CO., LTD.			
TITLE	MB118VP-B全组立图	TOLERANCE	X ±0.20 X.X ±0.15 X.XX ±0.10 X° ±0.5°
DRAWN:	宋新平	DATE	2023.01.06
CHECHED:		SCALE	1:1
APPROVED:		UNIT	mm
		REV.	1.0
		SHEET 1 OF 1	