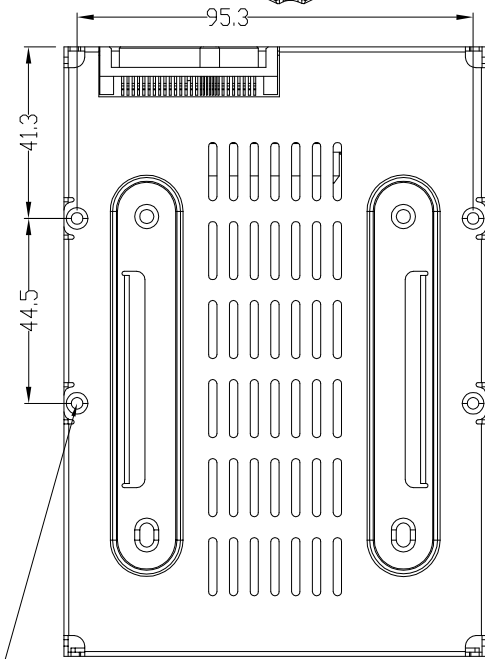
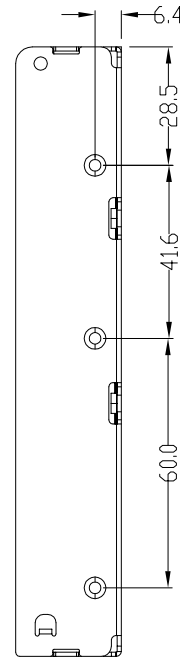
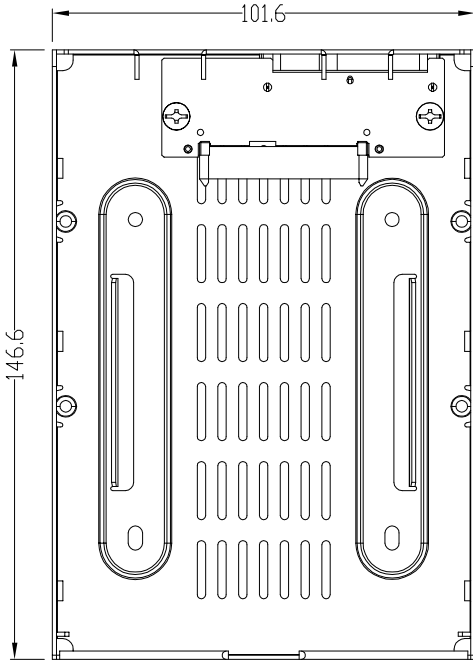
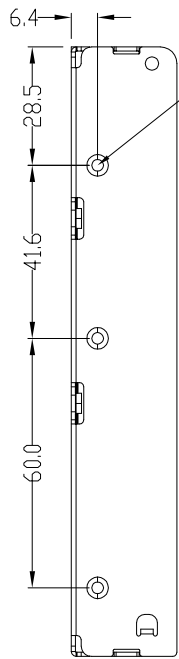
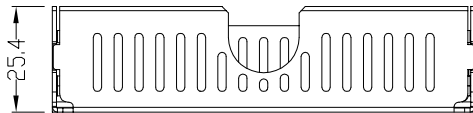


#6-32*6
(Suggest screw size)



#6-32*6
(Suggest screw size)



APPLIED MODEL

CREMAX TECH CO., LTD.

TITLE MB482SP-3B_全组立		TOLERANCE X.X ±0.3	
DRAWN	DATE	FINISHED	SCALE 1:1
CHECHED	DATE	PART NO.	UNIT mm
APPROVED	DATE	DWG. NO.	SHEET OF