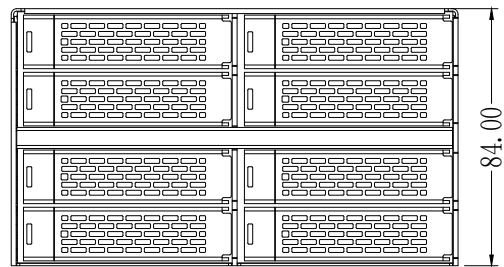
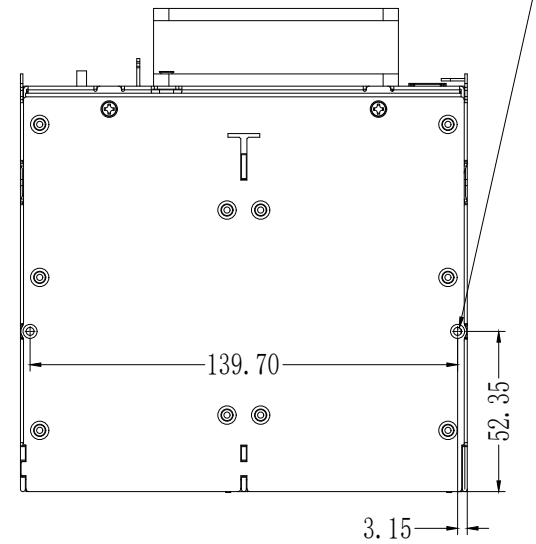
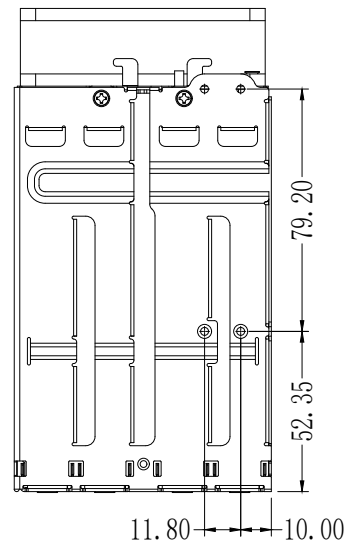
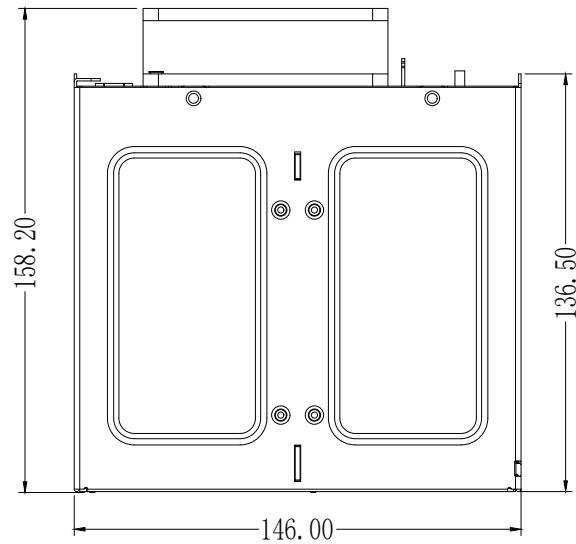
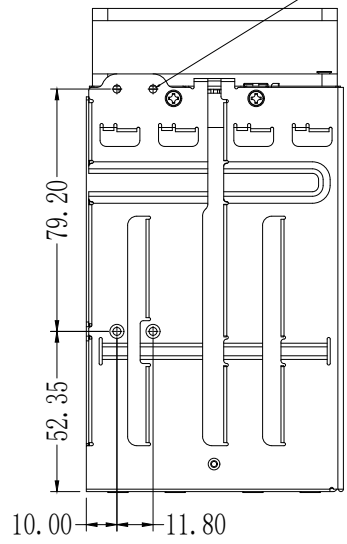
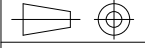


8-M3*2.5 (Suggest screw size)

2-M3*2.5 (Suggest screw size)



APPLIED MODEL

CREMAX TECH CO., LTD.			
TITLE MB508SP-B 全组立图		 TOLERANCE 10mm以下 ±0.1 10-50mm ±0.15 50mm以上 ±0.2 X° ±0.5°	
DRAWN	DATE 2022/9/15	FINISHED	
CHECHED	DATE	PART NO.	UNIT mm
APPROVED	DATE	DWG. NO.	SCALE 1:1
		REV. 1.0	
		SHEET 1 OF 1	