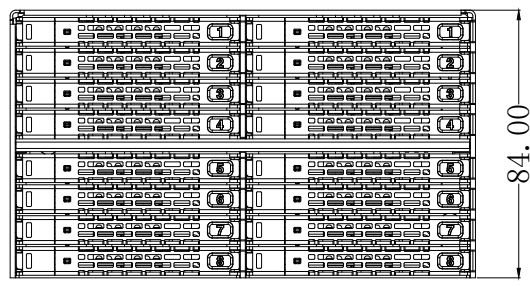
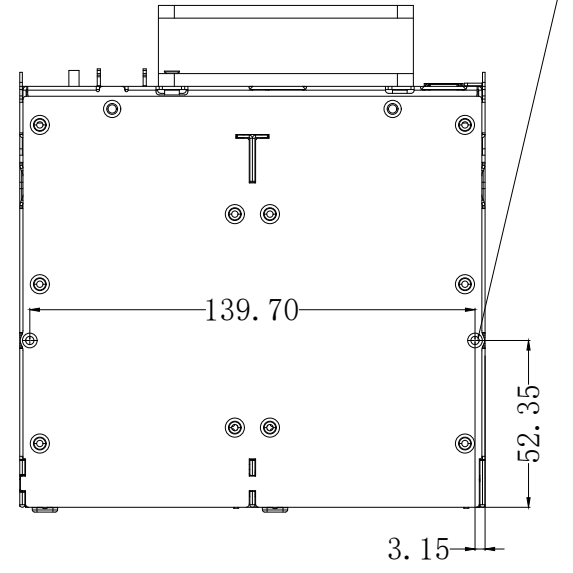
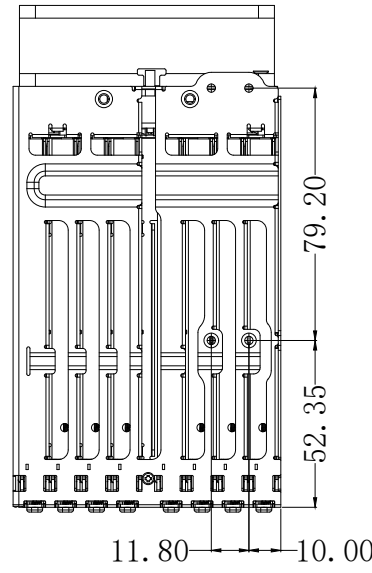
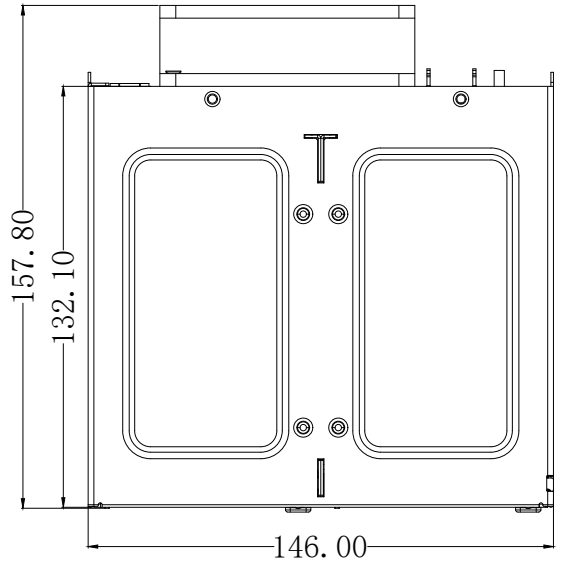
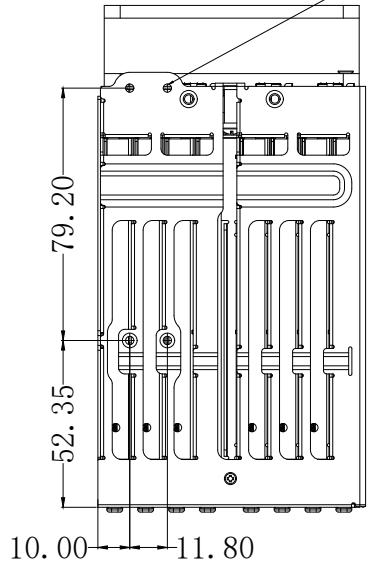


8-M3\*2.5 (Suggest screw size)

2-M3\*2.5 (Suggest screw size)



APPLIED MODEL

CREMAX TECH CO., LTD.				
TITLE		MATERIAL		TOLERANCE
MB516SP-B 全组立图				10mm以下 ±0.1
				10-50mm ±0.15
DRAWN	DATE	FINISHED	UNIT	SCALE
	2022/9/15		mm	1:1
CHECKED	DATE	PART NO.	REV.	
			1.0	
APPROVED	DATE	DWG. NO.	SHEET 1 of 1	