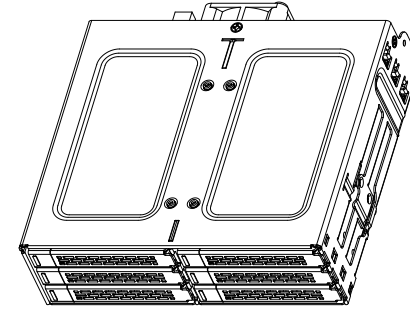
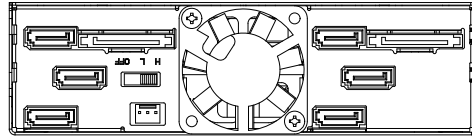
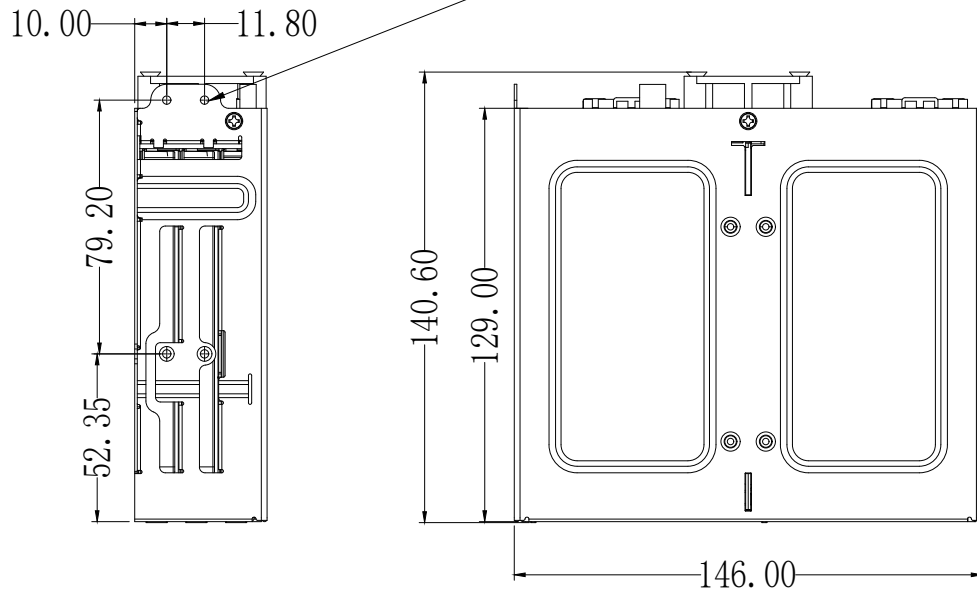


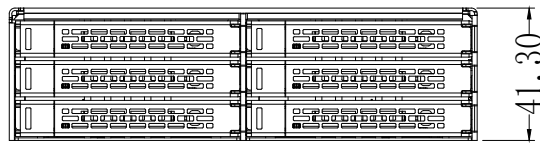
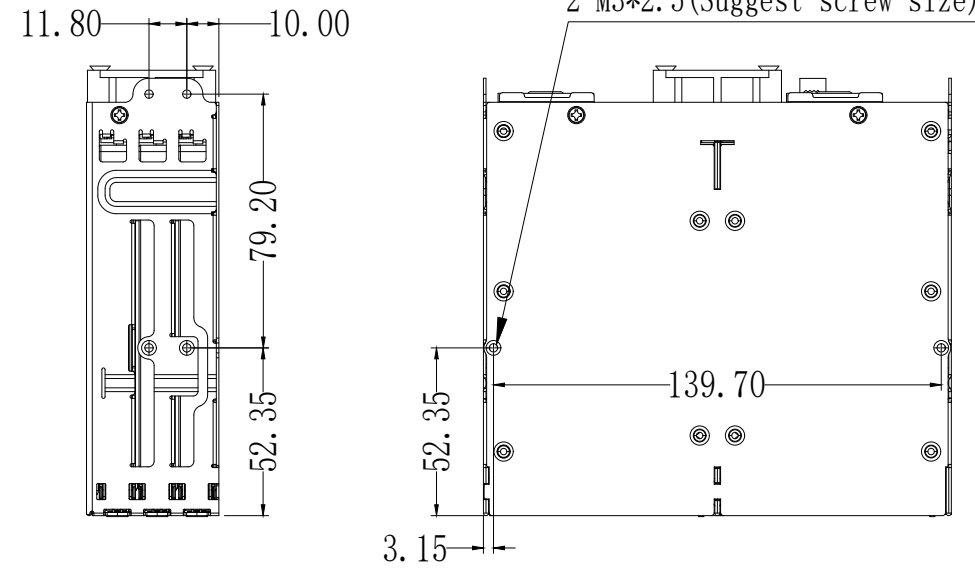
MARK	REVISED CONTENT	DATE	APPROVED



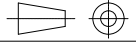
8-M3*2.5 (Suggest screw size)



2-M3*2.5 (Suggest screw size)



CREMAX TECH CO., LTD.

TITLE MB608SP-B 全组立图		 MATERIAL		TOLERANCE X.X ±0.15 X.XX ±0.1	
DRAWN	DATE 2022/9/15	FINISHED		SCALE 1:1	
CHECHED	DATE	PART NO.	UNIT mm	REV.	
APPROVED	DATE	DWG. NO.	SHEET 1 OF 1		

APPLIED MODEL