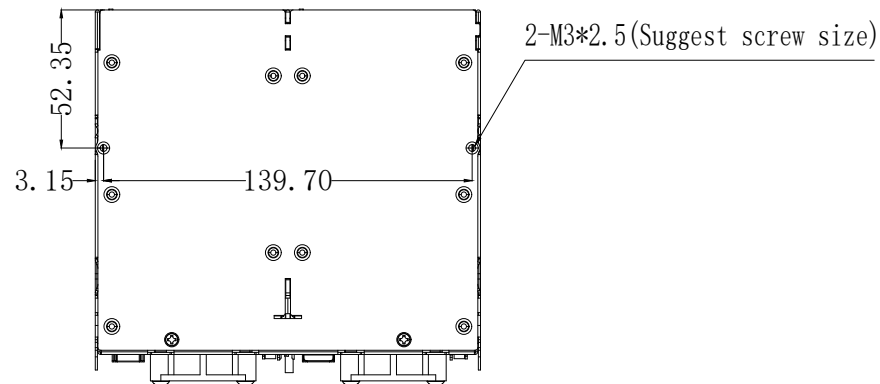
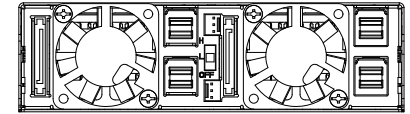
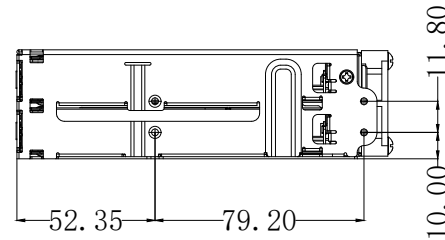
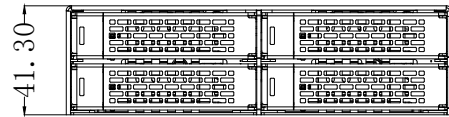
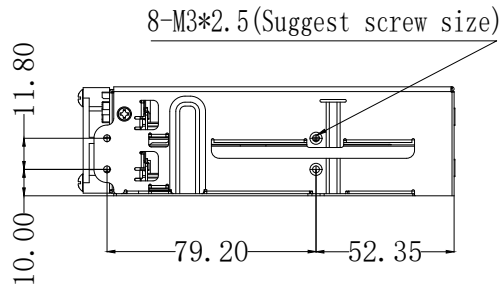
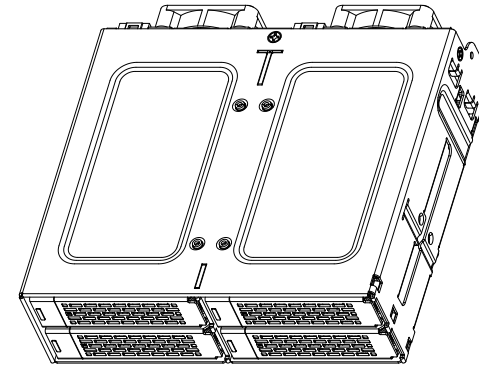
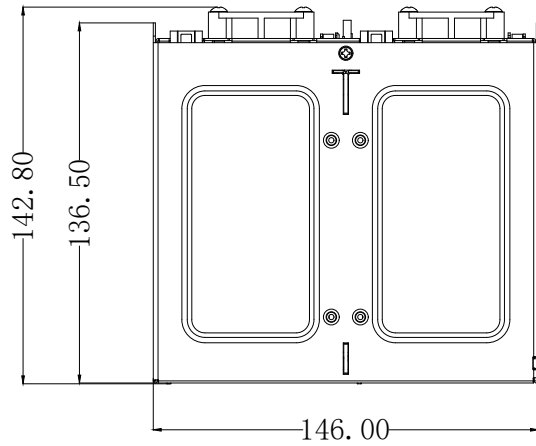


MARK	REVISED CONTENT	DATE	APPROVED



APPLIED MODEL

CREMAX TECH CO., LTD.				
TITLE				TOLERANCE
MB699VP-B 全组立图		MATERIAL		X ±0.20
				X.X ±0.10
DRAWN		FINISHED		SCALE
DATE		DATE		1:1
2022/9/15		PART NO.		REV.
CHECKED		DWG. NO.		mm
DATE		SHEET 1 OF 1		
APPROVED				