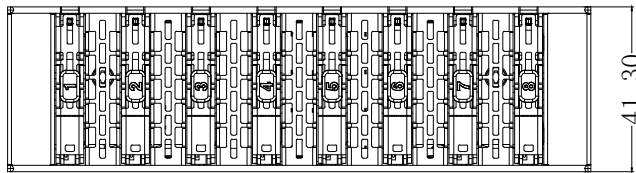
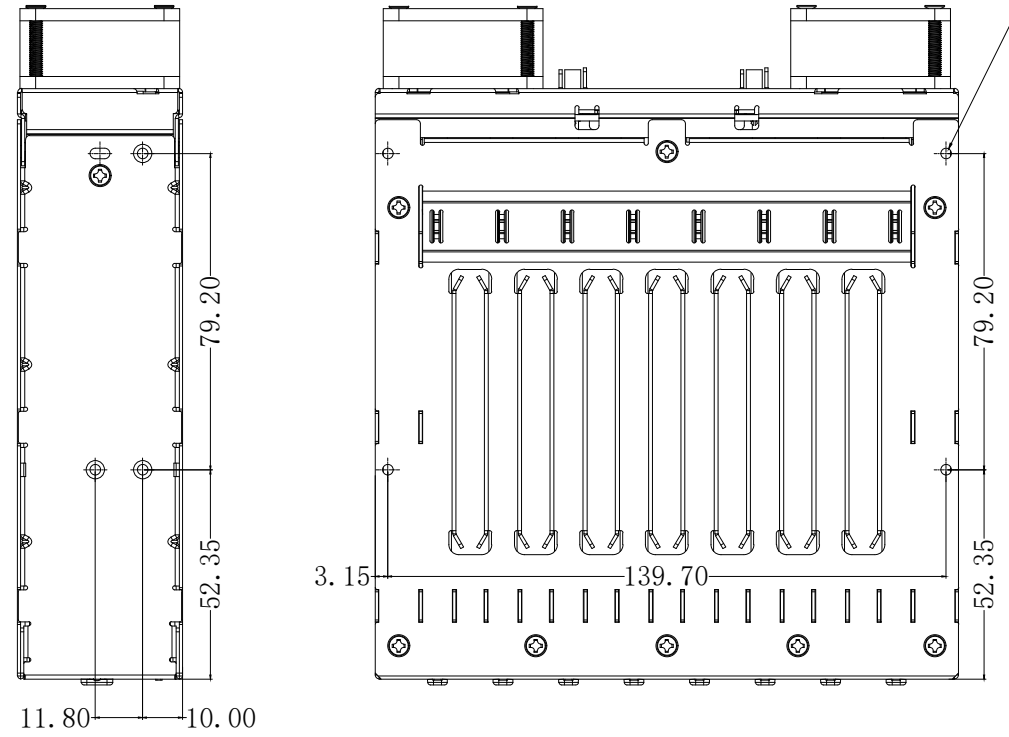
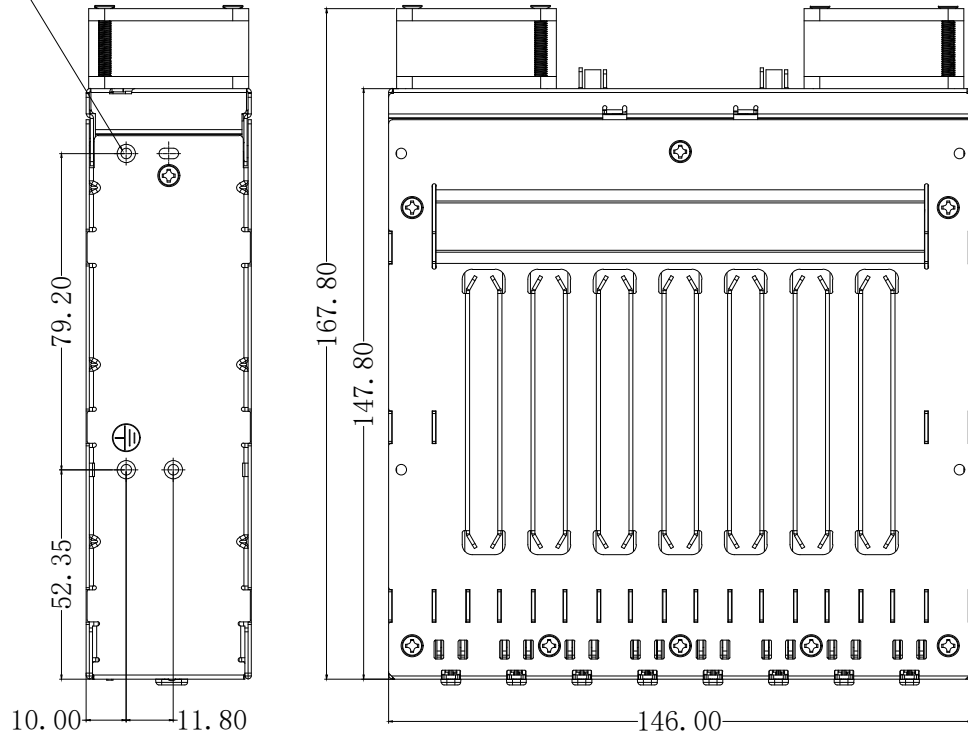



8-M3*6 (Suggest screw size)

4-M3*6 (Suggest screw size)



APPLIED MODEL

CREMAX TECH CO., LTD.

TITLE MB873MP-B V2 全组立图		 MATERIAL		TOLERANCE 10mm以下 ±0.1 10-50mm ±0.15 50mm以上 ±0.2 X° ±0.5°	
DRAWN	DATE 2022/3/3	FINISHED		SCALE	
CHECHED	DATE	PART NO.	UNIT mm	REV.	
APPROVED	DATE	DWG. NO.	SHEET OF		