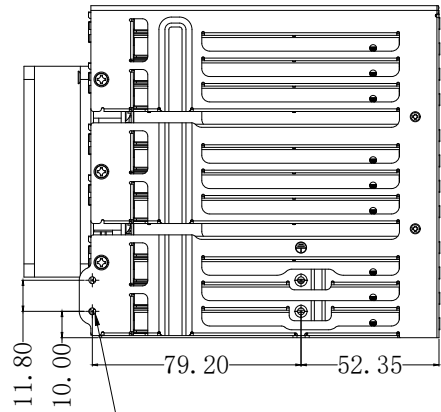
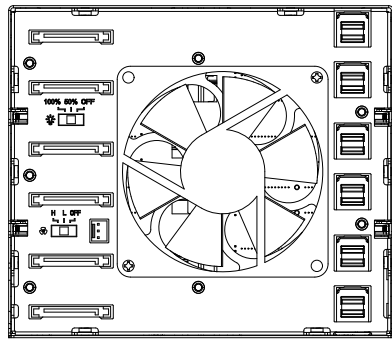
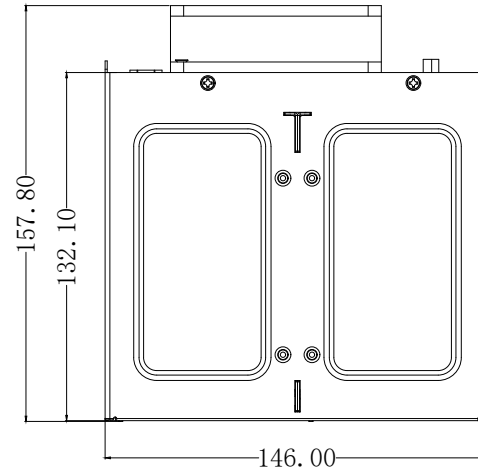
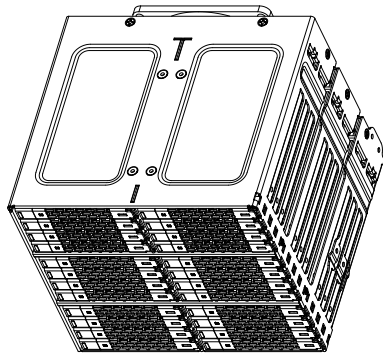


MARK

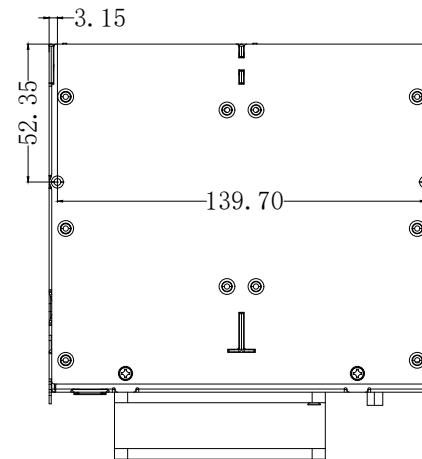
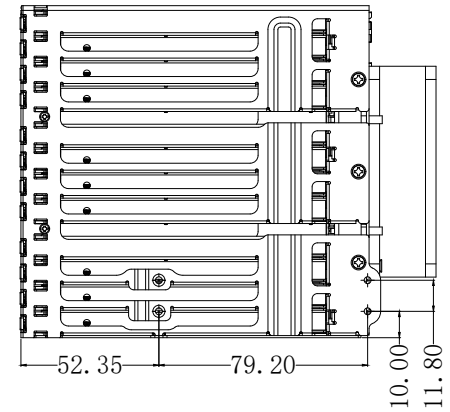
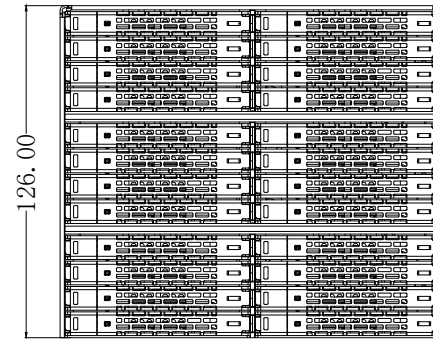
REVISED CONTENT

DATE

APPROVED



8-M3\*2.5 (Suggest screw size)



2-M3\*2.5 (Suggest screw size)

APPLIED MODEL

CREMAX TECH CO., LTD.

TITLE MB924IP-B 全组立图		MATERIAL		TOLERANCE 10mm以下 ±0.1 10-50mm ±0.15 50mm以上 ±0.2 X° ±0.5°	
DRAWN	DATE 2022/9/15	FINISHED		SCALE 1:1	
CHECKED	DATE	PART NO.	UNIT mm	REV.	
APPROVED	DATE	DWG. NO.	SHEET 1 OF 1		