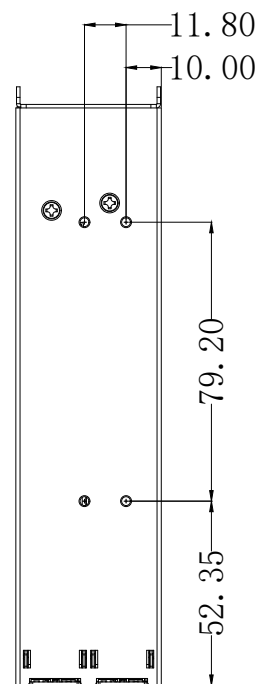
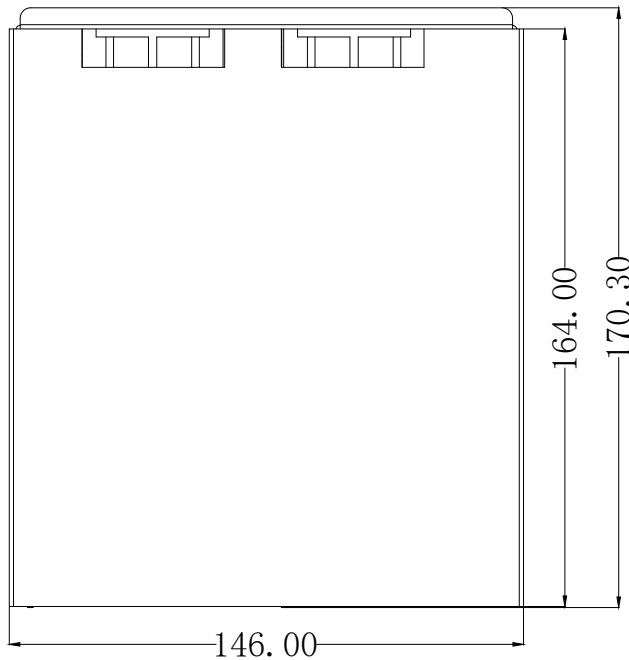
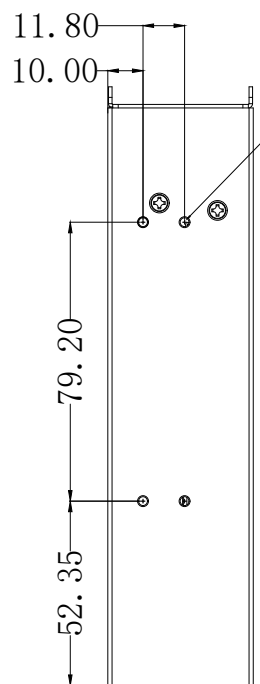
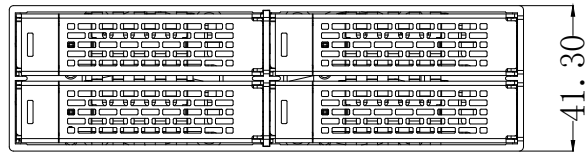
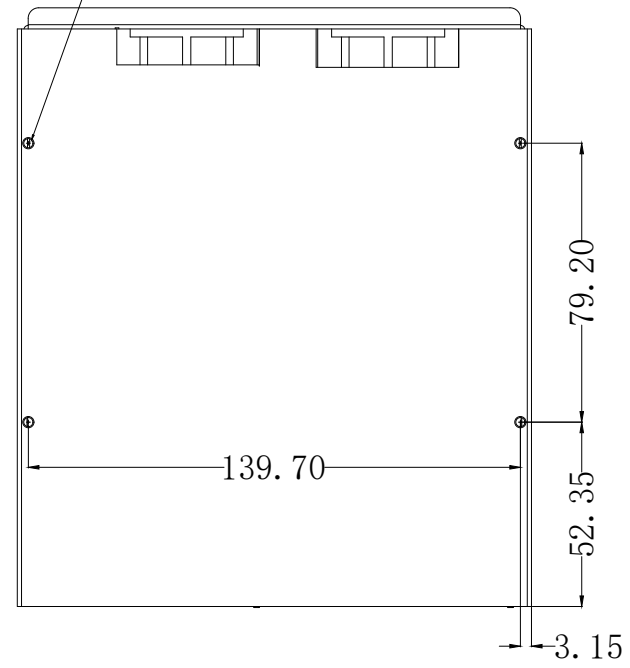


8-M3*2.5 (Suggest screw size)



4-M3*2.5 (Suggest screw size)



CREMAX TECH CO., LTD.			
TITLE MB994SP-4SB-1 全组立图		TOLERANCE X ±0.20 X.X ±0.10 X.XX ±0.05 X°.X" ±0.5"	
DRAW		MATERIAL	
DATE 2022/9/15	FINISHED	SCALE 1:1	
CHECHED	DATE	PART NO.	UNIT mm
APPROVED	DATE	DWG. NO.	REV.
			SHEET 1 OF 1