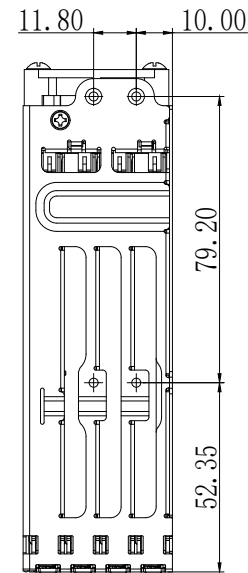
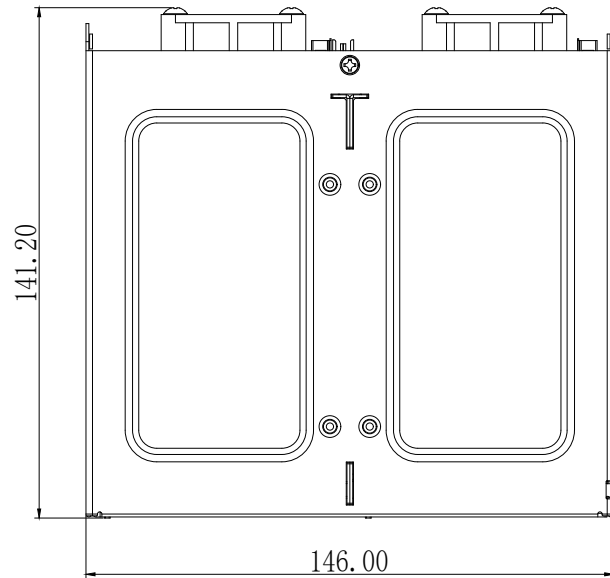
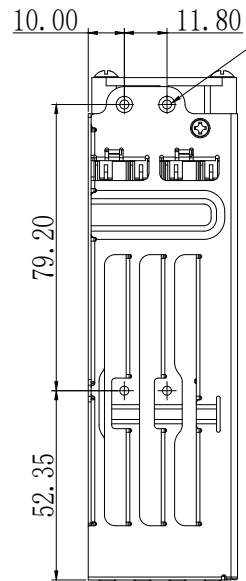
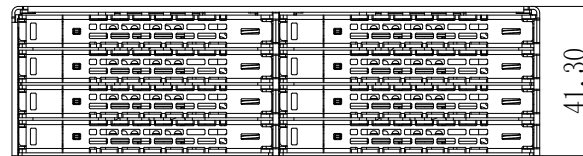
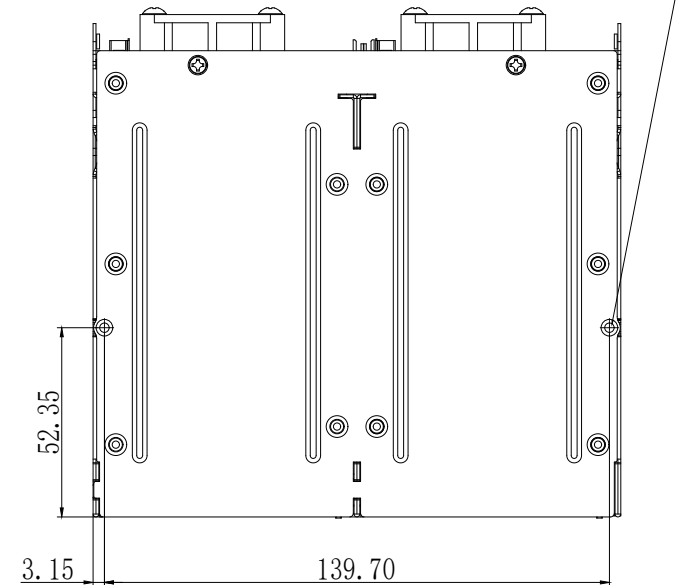


8-M3\*2.5 (Suggest screw size)



2-M3\*2.5 (Suggest screw size)



APPLIED MODEL

CREMAX TECH CO., LTD.

TITLE				TOLERANCE	
MB998SP-B 全组立图		MATERIAL		X	±0.30
				X.X	±0.20
DRAWN	DATE	FINISHED		SCALE	
	2022/9/15			1:1	
CHECKED	DATE	PART NO.	UNIT	REV.	
			mm		
APPROVED	DATE	DWG. NO.	SHEET 1 OF 1		